

1008-1

# 1008-1

12" Round Floor Sink with Seepage Flange\*  
 Acid Resistant Enamel on Cast Iron  
 Includes Dome Strainer

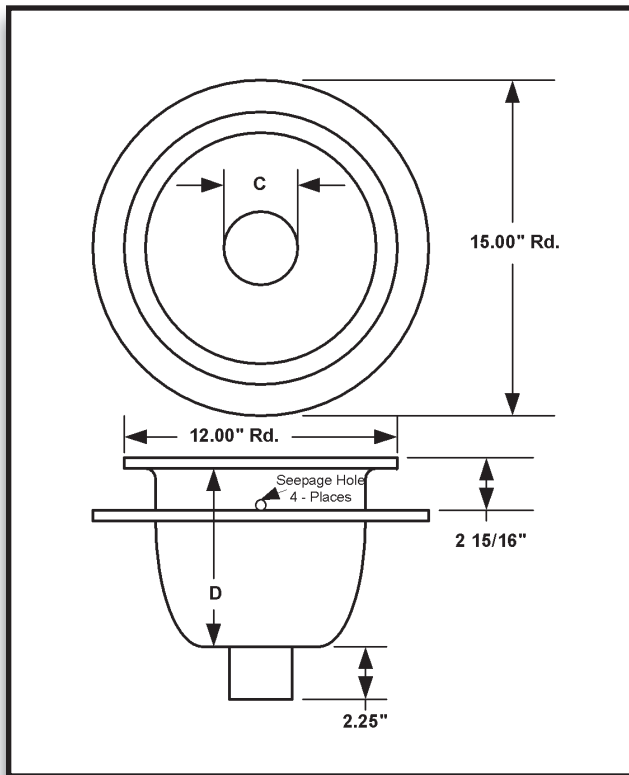
Available in Caulk & No Hub  
 2", 3", & 4" Outlet

Accessories: (Sold Separately)  
 Plastic Sediment Bucket  
 Top Grate



\*Flange Dimension 15" Diameter

1008-1



Cat. No.	Size	Outlet			Ship Wt.
		C-ID	C-OD	D	
1008-1-2"	12" Round x 8	2 1/4"	2 5/8"	8"	35 lbs.
1008-1-3"	12" Round x 8	3 1/4"	3 5/8"	8"	35 lbs.
1008-1-4"	12" Round x 8	4 1/4"	4 5/8"	8"	35 lbs.



1310 E. Borchard Ave. • Santa Ana, CA 92705 • P 714.656.1950 • F 714.656.1969  
[www.cecosinks.com](http://www.cecosinks.com)